



OPERATING INSTRUCTION

ELECTRIC SHEEP SHEAR



Super-Profi 3000 TYP 1300-2-TD

TABLE OF CONTENTS

1 Safety Instruction	Page 3 - 4
1.1 General information	
1.2 Symbols and warning indications	
1.3 Correct use	
1.4 Safety basics	
1.4.1 Energy supply	
1.4.2 Maintenance and inspection instructions	
1.4.3 Sound-pressure level	
1.4.4 Vibration	
1.4.5 Radiation	
1.4.6 Other risks	
1.5 Operator responsibilities	
2 Correct use	Page 5
2.1 Range of application	
2.2 Technical data	
2.3 Equipment	
3 Putting into operation	Page 5 - 7
3.1 Controls and operating hints	
3.2 Correct adjustment of shearing blades	
3.3 Correct lubrication of the shearing head	
3.4 Switching on/off	
3.5 Failure — motor safety switch	
4 Maintenance	Page 7 - 8
4.1 Cleaning	
4.2 Mounting of the shearing blades	
4.3 Correct adjustment of the shearing blades	
4.4 Grinding the shearing blades	
4.5 Cleaning of the air filter	
4.6 Storage of the sheep shear	
5 Pictures	Page 9
6 Repairs	Page 10 - 11
6.1 Introduction	
6.2 List of problems	
7 Exploded view / Spare parts	Page 12 - 15
7.1 Sheep shearing head V	
7.1.1 Special shearing blades	
7.2 Motor (Typ 1300-2-TD)	
8 Others	Page 16
8.1 Environmental protection and disposal	
8.2 Declaration of Conformity	

1 SAFETY INSTRUCTIONS

1.1 General

These safety instructions contain basic indications to be observed during set up, operation and maintenance.

All persons operating or working with the shearing machine must read these operating instructions most carefully.

The operating instructions should always be available at the place where the appliance is operated.

1.2 Symbols and warning indications

Different kinds of symbols are used in this operating instruction. They either refer to possible dangerous situations or point out technical information, which in case of non-observance may lead to bodily injury and material damage.

Danger Symbols



Warning

Indicates a possibly dangerous situation. If not avoided, it may lead to serious bodily injury or even death.



Caution

Indicates a possibly dangerous situation. If not avoided, it may lead to minor or slight injuries.

Information Symbols



Tip

Hint, which in case of non-observance may lead to operational failure or damage.



Picture Hint

This symbol with picture number refers to the corresponding picture at the end of this operating instruction.

1.3 Correct use

The appropriated use of the shearing machine is described in chapter 2.1.

Indications in chapter 2.2 (technical data) are compulsory operating limits and characteristics.

1.4 Safety basics



1.4.1 Energy supply

Put the plug only into sockets that have been installed in accordance with the regulations. Defective electric installations may lead to an electric shock or a short-circuit. Sockets should be equipped with a residual current circuit-breaker. Observe the regulations in force in your country.

Only carry out maintenance and cleaning activities when the plug is disconnected. Never leave the appliance unattended while the plug is still in the socket. Animals may only be clipped when children are kept at a distance. Always store the shearing machine at a dry and safe place, not accessible to children.

1.4.2 Maintenance and inspection obligations

Never use a damaged appliance to clip animals. If a fault is detected in the housing or the electric cord, always have it repaired exclusively by an authorised expert.

1.4.3 Sound-pressure level

Sound-pressure level during operation is 75 dB(A).

1.4.4 Vibration

The shearing machine does not exceed a vibration value of 2.5 m/s².

1.4.5 Radiation

On the basis of tests according to the harmonised European standards of the EC-directive, the shearing machine meets the basic safety requirements concerning the electromagnetic compatibility.

1.4.6 Other risks

Should there occur other risks or damages during operation that are not directly connected with animal clipping, please inform us. This also goes for technical shortcomings that may lead to dangerous situations.

1.5 Operator responsibilities

A safe use of the shearing machine only makes few demands upon the operator. Yet these are compulsory to be followed and observed:

- The operator has read and understood this operating instruction, or has been instructed by an expert on the use and operation of the shearing machine and the dangers.
- The operator is experienced in handling the animals to be clipped. Children should never operate the clipper; frail person only under survey.

2 CORRECT USE

2.1 Range of application

This shearing machine is only meant for shearing sheep or other adequate breed. Other applications, in particular use with human beings, are strictly forbidden.

2.2 Technical data

Type:	Super-Profi 3000 (1300-2-TD)
Connecting voltage:	} see rating plate on machine
Motor power:	
Frequency:	
Dimensions (:W/H/L):	approx. 57mm x 54mm x 340mm
Weight without electric cord:	1600 g
Maximum ambient temperature:	0 °C – 40 °C
Maximum air humidity:	10% - 90% (relative humidity)
Sound-pressure level:	ca. 75 dB (A)
Vibration:	< 2,5 m/s ²
shearing velocity:	approx. 2200 double-strokes / min.

2.3 Equipment

- 1 shearing machine with shearing head
- 1 set of shearing blades (mounted)
- 1 spanner – width 12 mm
- 1 bottle of special-oil (60ml)
- 1 operating instruction
- 1 case for transport and storing

Options:

Various different shearing blades

3 PUTTING INTO OPERATION

3.1 Controls and operating hints



Incorrect use of the clipper may be hazardous. Please observe the following measures for accident protection before putting the appliance into operation.

- The voltage indicated on the rating plate of the machine has to correspond to your mains voltage. The appliance may only be connected to alternative current voltage (AC).
- Avoid any contact with moving shearing blades.
- Before carrying out works on shearing blades and / or shearing head, always disconnect the mains supply first. As long as the appliance is still connected to the mains supply, never touch the shearing blades, even while the appliance is switched off.
- Avoid any contact with appliances that are in contact with liquids. Never clip wet animals. Liquids penetrating into the appliance reduce electric insulation. Risks of electrical shock and short-circuits arise. Clean the appliance only with a dry cloth or a brush.



- An extension cord lying on the floor may become entangled and turn into a danger. Before shearing, place the cord in a safe and secure way. Avoid the connecting wires of the appliance to become bent or tangled. Avoid animals standing on or getting caught up into the cord. Keep the cord away from hot soils. Never wind the cord around the appliance. This may lead to insulation damages or breaking in the cord. Regularly check the cord for any defective spots.
- Before disconnecting the plug, put the switch in the OFF-position (position 0 as per picture 1).
- Never use defective shearing blades with broken teeth. Only use sharp shearing blades. Only use original shearing blades.
- Never put an object into an opening of the appliance. The noise of the appliance may confuse or irritate animals. A kick or the body weight of an animal may lead to serious injuries. Fasten the animal in a safe way. Switch on the appliance in the field of vision of the animal and approach to the animal's head calmly.
- Use a safe and clear area to shear animals.
- Only shear in well ventilated area and never in close vicinity to flammable materials.



These safety instructions have to be observed under all circumstances. It is advisable to use a fail current safety socket when working with electric appliances.

3.2 Correct adjustment of shearing blades

Every clipper leaving the factory is set up for clipping!
adjustment of shearing blades – Maintenance 4.3 – the correct adjustment of shearing blades



During shearing

Attention should be paid that shearing blades are not fastened too tightly. During shearing activities, the tension of the shearing blades may have to be adjusted from time to time by max. ¼ rotation.



3.3 Correct lubrication of the shearing head

Lack of lubrication is the most common cause of unsatisfactory shearing results and overheating of the shearing machine. For best shearing results as well as for enhancing life time of the shearing blades and the appliance, apply a thin oil film on the blades. Other moving parts of the shearing head should also be well lubricated. Drop oil on the shearing blades and in the oil opening of the shearing head approx. every 10 minutes (picture 3).



Only use our special oil for animal clippers. Use in no case diesel oil !

Shearing blades and shearing head should be sufficiently lubricated approx. every 10 minutes while shearing so that they won't run dry.



3.4 Switching on/off

The sliding switch has two positions (picture 1).

Position I: Appliance is switched on

Position 0: Appliance is switched off



Before connecting the plug, verify the position of the switch. The switch should be in the position 0. Only use the sliding switch to switch the appliance on or off.



3.5 Failure - motor safety switch

The motor safety switch protects the sheep shear against too high mechanical or electrical load. If the button of the motor safety switch (picture 4) jumps out (appliance stops), switch off the appliance by means of the sliding switch (position 0). Immediately pull the plug.



The motor safety switch may jump out due to the fact that the shearing blades have been fastened too tightly, defective motor, blocking of the shearing heads, etc. After a short cooling-off period, the appliance may be put into operation again after a slight push on the motor safety switch.

4 MAINTENANCE



Before carrying out any maintenance activities, the energy supply has to be switched off and the plug has to be pulled from the socket. When working on the shearing blades or shearing head, **always disconnect the power supply**. Never touch the shearing blades as long as the sheep shear is connected to the power supply, even when the appliance has been switched off.

4.1 Cleaning

After use, remove any oil from the appliance, from the shearing head and from the shearing blades by means of a dry cloth as well as all wool rests may be removed by means of a dry brush. Next, slightly oil all parts in order to prevent rust formation. Notice that even the slightest rust may considerably effect shearing results or even make it impossible.



4.2 Mounting of the shearing blades

The set of blades always consists of a bottom blade and an upper blade. For shearing, both ground (sharpened) surfaces (picture 8) must rest on each other.

8+9+7

The blades are mounted as follows (pictures 5 - 9):

Loosen the adjustment screw (picture 9) and put the appliance on a hard surface, the screws of the bottom blade in the upward position (picture 7). Loosen the screws and remove both used blades. Make sure that the new blades are clean. Pay special attention to the fact that the cutting surfaces must be free from dirt and hair. Put the upper blade on the tapered pins of the carrier (picture 5) and push the bottom blade (picture 6) between the loosened screws (picture 7) in the way as shown on the picture of the motor. Fasten the screws of the bottom blade by means of the enclosed spanner. Turn around the appliance, so that the adjustment screw lies on the top. Check whether both tapered pins of the carrier are fitted in both openings of the upper blade (picture 5). Fasten the adjustment screw (picture 2) until a slight resistance is felt. Please make sure that the tooth tips of the cutter are set up approx. 1 -2 mm behind the grinded area on the comb (picture 11). You



2+5+6
7+11

achieve this by moving the combs forward and backwards. If the blades are correctly adjusted, please fasten both screws on the comb (picture 7).

4.3 Correct adjustment of the shearing blades

Adjust the shearing blades as follows:

Before shearing:

When the appliance is switched off (picture 1), check that the tapered pins of the driver grip into the holes of the upper shearing blade (picture 5). Please make sure that the tooth tips of the cutter are set up approx. 1 -2 mm behind the grinded area on the comb (picture 11). Fasten the adjusting screw until the first perceptible resistance. Switch on the shearing machine. Loosen the adjusting screw until the shearing blades are not under pressure and run freely (motor speed is increasing). Now slowly fasten the adjusting screw (picture 2) until you hear the motor speed reduce and a resistance is felt while fastening the adjusting screw. Now tighten the adjusting screw by ¼ of a rotation at the most. Start shearing. In case the cut is not satisfactory, slightly adjust the tension of the blades. If shearing has been started while the adjusting screw has not been sufficiently tightened, wool may heap up between the shearing blades. This may spoil shearing results or even make shearing impossible. In this case, shearing blades should be removed, cleaned and reset.

4.4 Grinding the shearing blades

A correct grinding (re-sharpening) of the shearing blades can only be done by means of a special machine and by an expert. Only work with sharp blades. Defective blades with broken teeth or blunt edges must be replaced.

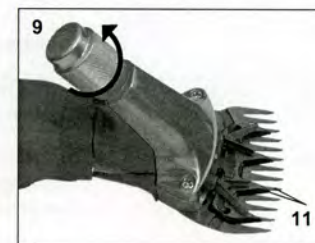
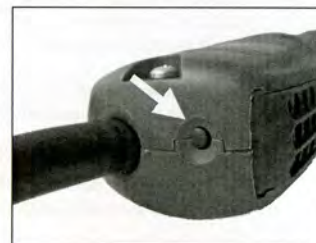
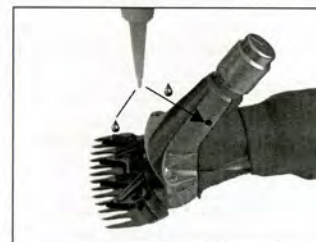
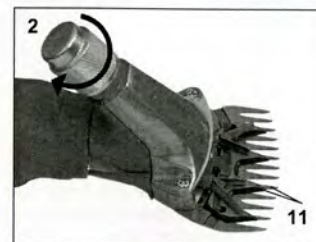
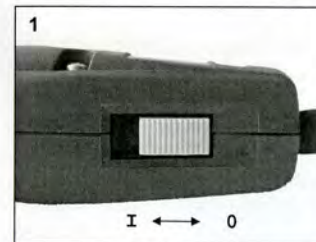
4.5 Cleaning of the air filter

The air filters are situated at the top and at the bottom of the motor part of the shearing machine (picture 10). The air filters must be removed to clean them. It is necessary to regularly clean the air filters. Make sure that nothing enters the machine when cleaning the air filters. **The sheep shear must never be operated without air filters.**

4.6 Storage of the sheep shear

In between use or in between shearing seasons, the sheep shear – which has been thoroughly cleaned and oiled – must be stored in the accompanying case in a dry place not accessible for children. If you suspect that fluids have entered the machine, do not use it! It may lead to electric shock or short-circuit. Send the machine for inspection to your suppliers or an authorised agent.

5 PICTURES



6 REPAIRS

6.1 Introduction

The measures to remedy failures are mentioned in the column REMEDY/ACTION of the list of failures. Instructions marked with * are only to be carried out by authorised qualified personnel.

6.2 List of problems

In case of failures that are not listed below, please contact an authorised servicepoint (your authorised agent).

Motor parts

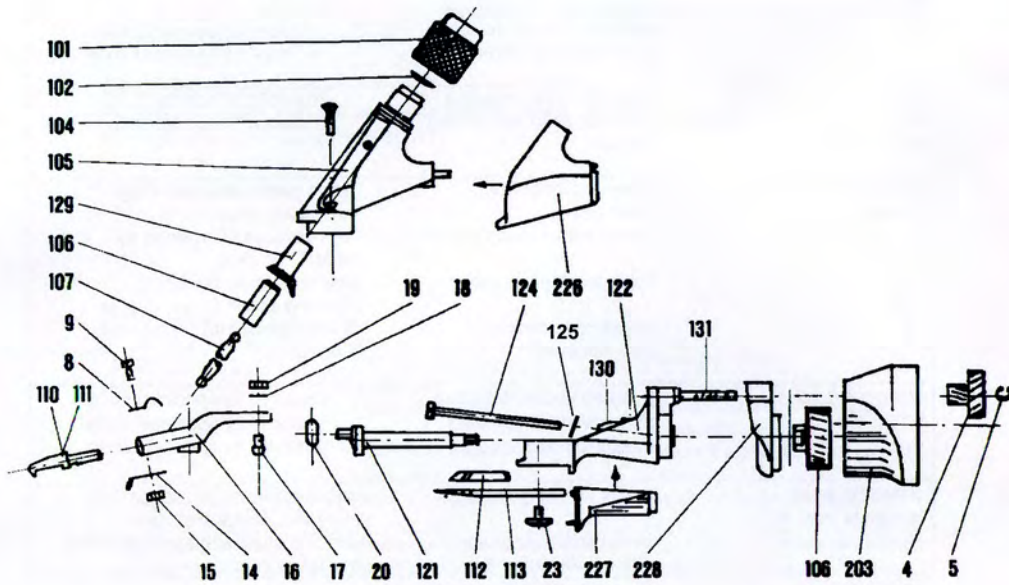
Failure	Cause	Remedy / Action
Motor does not run	- no power - cord defective - switch or motor defective - motor safety switch off	check socket and fuse * have it tested or replaced by specialist shop * have it replaced by specialist shop switch on motor safety switch
Motor safety switch switches repeatedly	- Rotor or Stator defective - blades blocked - Motor safety switch defective - air filter blocked	* ... replaced by specialist shop remove blockage * ... replaced by specialist shop clean air filter
Motor becomes warm / hot	- air filter blocked - blade tension too high - ball bearing defective	clean or replaced air filter loosen adjusting screw, if after that blades no longer cut, they have to be replaced by new one. * ... replaced by specialist shop
Motor runs very slowly	- Rotor or Stator defective - carbon brush worn out	* ... replaced by specialist shop * ... replaced by specialist shop
Motor vibrates	- Rotor runs unbalanced - bearings defective - ventilation wheel broken	* ... replaced by specialist shop * ... replaced by specialist shop * ... replaced by specialist shop

Shearing head

Failure	Cause	Remedy / Action
Upper blades does not move	- eccentric shaft with thread broken - gear 29/11 teeth defective - eccentric roller defective	* ... replaced by specialist shop * ... replaced by specialist shop * ... replaced by specialist shop
Upper blade does not move over the whole cutting width	- eccentric roller defective - eccentric shaft with thread broken	* ... replaced by specialist shop * ... replaced by specialist shop
unsatisfactory clipping results	- upper and/or bottom blade blunt - blades not correctly ground - blade tension too low - blades or eccentric dry – not oiled	* have blades sharpened by specialist shop * have blades sharpened by specialist shop raise tension by fastening adjusting screw oil with special oil for animal clippers
shearing blades do not cut	- pressure socket defective - pressure shaft defective - shearing head used	* ... replaced by specialist shop * ... replaced by specialist shop * ... replaced by specialist shop
shearing head becomes very hot	- blades tension too high - carrier and/or eccentric without lubrication film	reduce shearing blade tension, if needed, sharpen blades lubricate parts with special oil for animal clippers

7 EXPLODED VIEW / SPARE PARTS

7.1 Shearing Head V



7.1.1 Special shearing blades



A 54

A 55

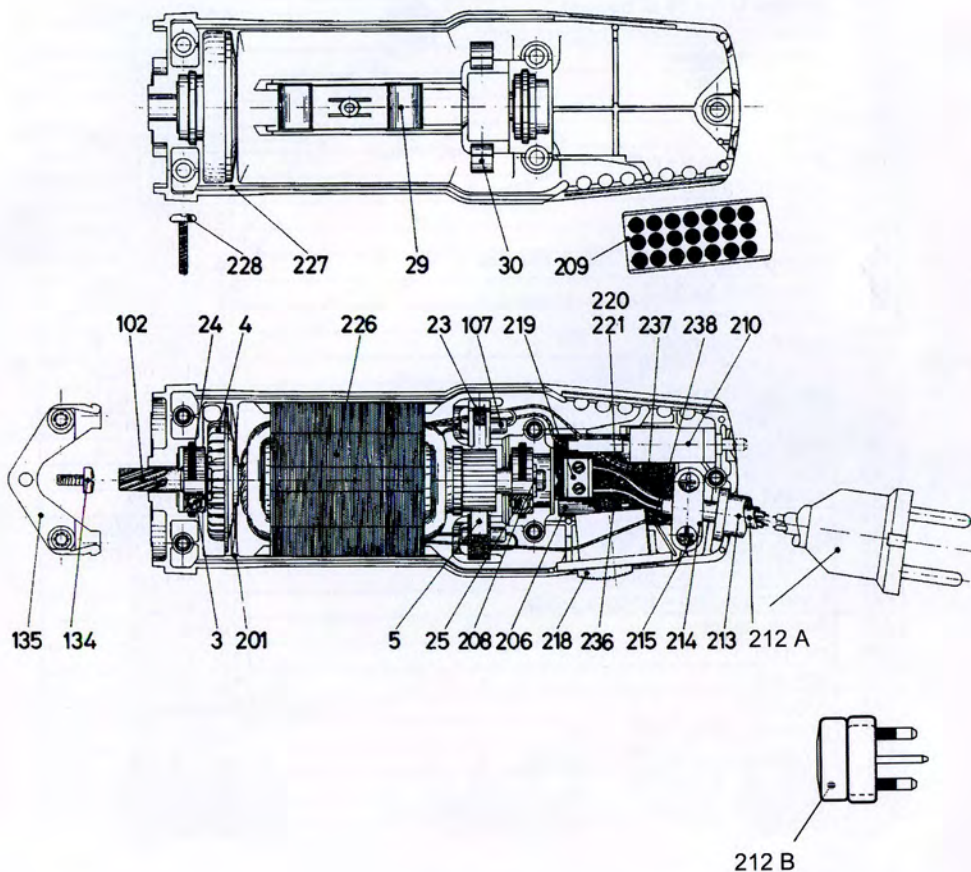
A 56

Pos	Description	Part-No.
	shearing head V complete	1901035200
101	pressure regulation nut	19-0331101
102	disc spring 15 Ø 5,2 Ø x 0,7	19-0331102
104	screws M 4 x 16 (2 pieces)	9004001644022
105	shearing head housing (upper part)	19-0331105
106	pressure socket	19-0331106
107	pressure shaft	19-0331107
8	holding spring	19-0330008
9	screw M 3 x 8	9003000801022
110	pressure piece - right side	19-0331110
111	pressure piece - left side	19-0330111
112	cutter	15 0330012
113	comb	15-0330013
14	spring bow	19-0330014
15	hexagonal nut M 3	9003000034022
16	pressure arm	19-0330016
17	bolt with ball head	19-0305017
18	disc spring	9004000009021
19	hexagonal nut M 4	9004000034022
20	eccentric roller	19-0305020
121	eccentric shaft with thread	19-0331121
122	shearing head housing (lower part)	19-0331122
23	screws for combs (2 pieces)	19-0305023
124	screws M 4 x 48 with washers (2 pieces)	9004004865022
125	spring washer 4,3 X 9 X 1	9043000072022
226	hand protection – top, petrol	19-0351226
227	hand protection – bottom, petrol	19-0351227
228	flange, petrol	19-0351228
129	oil bush	19-0331129
130	ball cup	1901030516
131	Axle pivot	1901030512
203	gearbox casing V TD, petrol	19-0351203
4	double gearwheel 29 / 11 teeth	19-0340004
5	safety clip 5.0 (ST 6)	9005000053022
106	gearwheel (32 teeth) with threaded bush (long)	19-0340206

Special shearing blades

	LC A 54 set of shearing blades	15-0208210
	LC A 55 set of shearing blades	15-0208410
	LC A 56 set of shearing blades	15-0208610

7.2 Motor (Typ 1300-2-TD)



Pos	Description	Part-No.
201	motor housing – lower part, petrol	19-0350201
102	rotor complete with part nos. 3,4,24,25	19-0332102
003	ball-bearing 608 2Z (head side)	19-0300003
004	fan with 20 blades	19-0300102
005	carbon brushes (2 pieces.)	19-0300005
206	radio / TV-condenser	19-0350206
107	UKW-condenser	19-0350207
208	safety ring 7 x 8 for part no. 25	19-0300133
209	air filter, petrol	19-0350209
210	motor protection switch 1,2 A	19-0350310
212 A	lead (cable) with plug (EURO)	19-0350216
212 B	lead (cable) with plug (GB)	19-0300203
213	cable protection	59-0020213
214	cable clamp	19-0500033
215	screws 3,5 x 16 (2 pieces)	9035001600042
218	on-and-off switch	19-0350218
219	2-pol wire connector	19-0350219
220	circuit plate – without components	19-0350220
221	circuit plate, cplte. with part nos. 206, 210, 218, 219, 220, 236, 237, 238	19-0350321
023	carbon brush holders (2 pieces)	19-0300023
024	O-ring for bearings 21,5 x 2 (2 pieces)	19-0300024
025	ball bearing 627 2Z (bottom side)	19-0300025
226	stator	19-0350226
227	motor housing – upper part, petrol	19-0350227
228	screws 4 x 25 (5 pieces)	9040002500042
029	flat spring	19-0300029
030	spiral springs for carbon brushes (2 pieces)	19-0300030
134	screws M 4 x 10	9004001065022
135	fastening bracket	19-0332135
236	connection wire	19-0350236
237	AMP plugs 2,8 x 0,8	19-0350237
238	round contact pin RTM 1,3	19-0350238

8 OTHERS

8.1 Environmental protection and disposal

It is the operators' responsibility to dispose of clipping blades as well as the clipping machine in a proper way after service life of appliance.
Pay attention to the regulations in force in your country!

8.2 Declaration of Conformity

This piece of equipment complies with directive:
2004/108/EG
2006/95/EG

Manufactured by:

Lister – GmbH / Germany

P.O. Box 2160
Phone: +49 2351 1060-0
Email: Export@lister.de

58471 Lüdenscheid / Germany
Fax: +49 2351 1060-50
Internet: <http://www.lister.de>